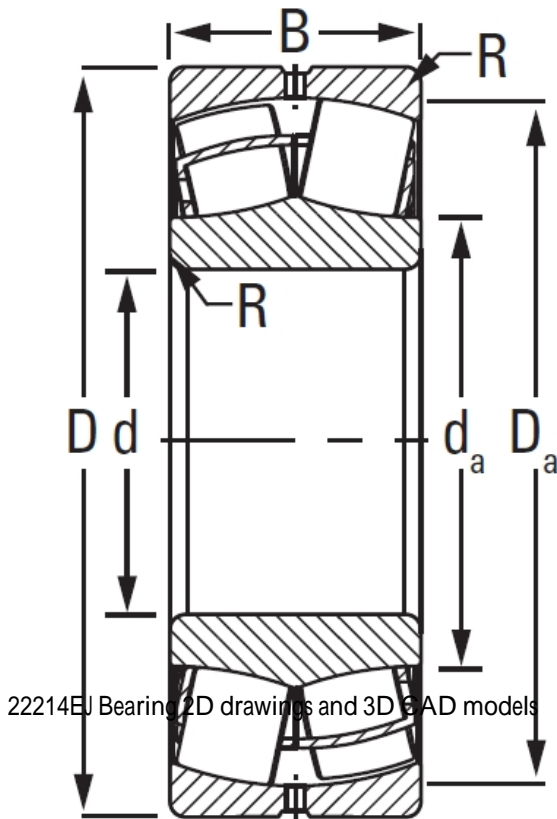




BEARING-MALAYSIA SDN.BHD.

22214EJ Timken Spherical Roller Bearing

Bearing No. 22214EJ



22214EJ Bearing 2D drawings and 3D CAD models

Design Unit	METRIC
Bearing Weight	1.6 Kg
Cage Type	EJ
UPC Code	087796315150
Cage Material	Steel
Superseded Part	22214CJ
d	70 mm
D	125 mm
B - Inner Ring Width	31 mm
B - Outer Ring Width	31 mm
R - Inner Ring To Clear Radius ¹	1.5 mm
r - Outer Ring To Clear Radius ²	1.5 mm
da - Inner Ring Backing Diameter	84.000 mm
Da - Outer Ring Backing Diameter	114.000 mm
C0 - Static Radial Rating	231000 N
C1(2) - Dynamic Radial Rating (Two-Rows)	213000 N
e - ISO Factor ³	0.23
Y0 - ISO Factor ⁴	2.9
Y1 - ISO Factor ⁵	4.32
Y2 - ISO Factor ⁶	2.84
Reference Thermal Speed Rating (Grease)	3900
Reference Thermal Speed	4800



BEARING-MALAYSIA SDN.BHD.

Rating (Oil) ⁷	
Cg - Geometry Factor ⁸	0.0552